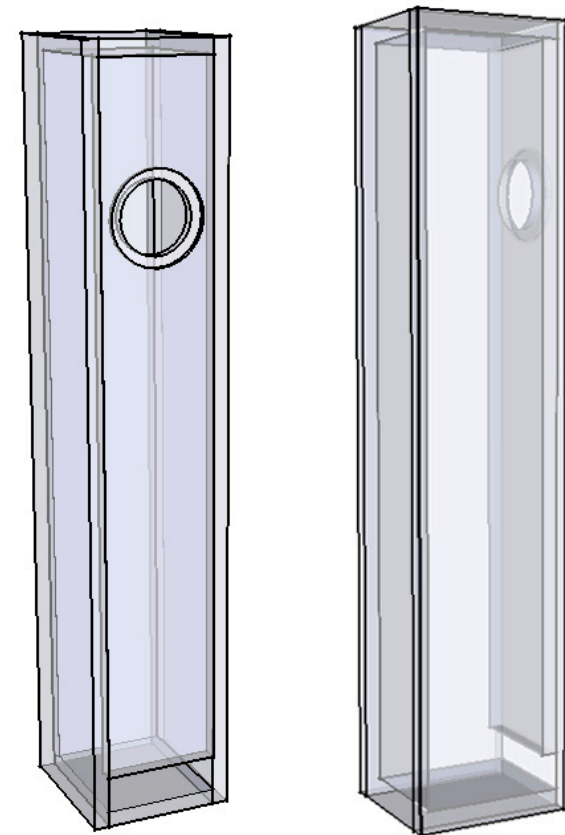
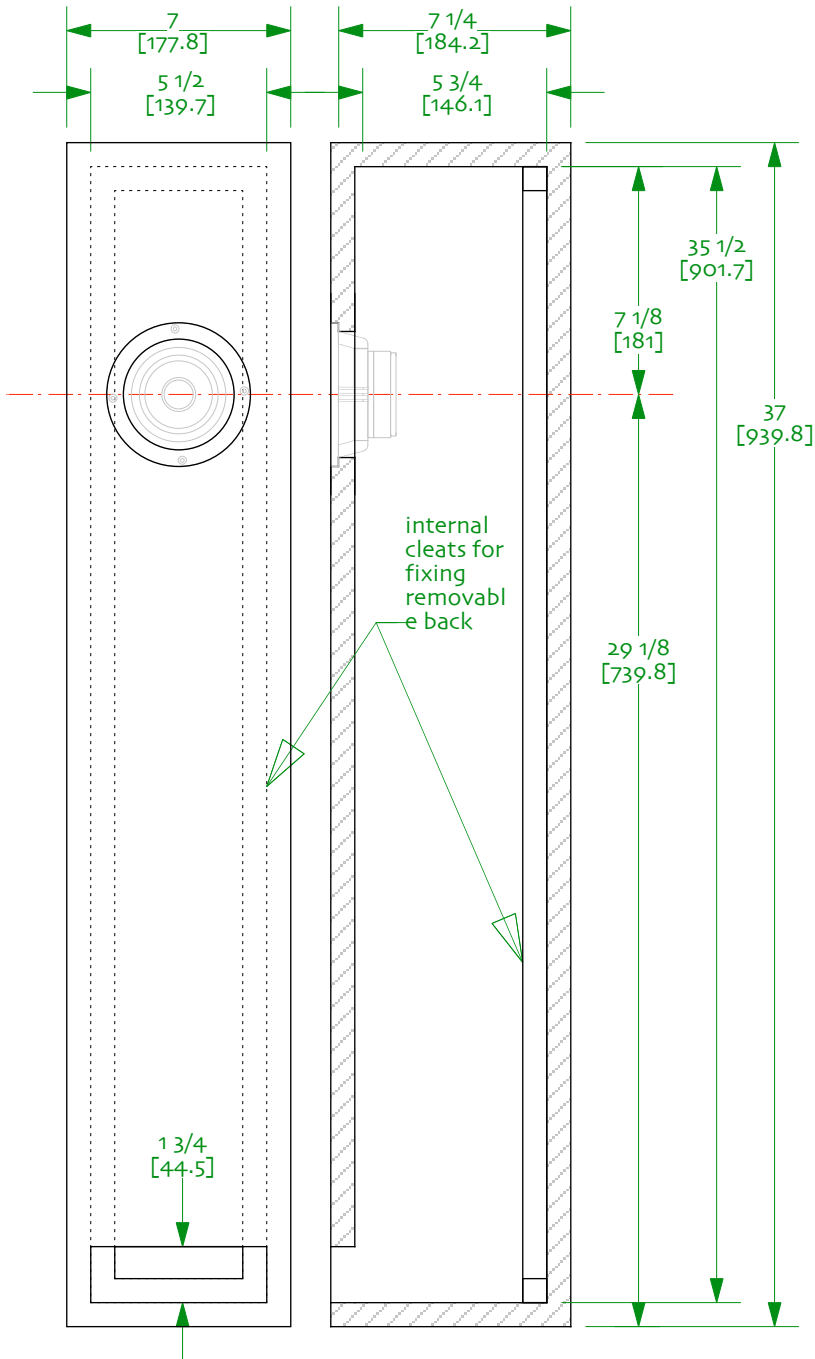




## Alpair 6 Pensil 6

designed by S Lindgren drawn by dld  
 13-july-2010  
 ©2010 Markaudio All rights reserved  
 NOT for commercial use without prior  
 written approval from Markimage Limited



Notes:

- 0/ drawing uses 3/4" (19.1mm) material. 18-20mm OK. Quality multi-ply recommended
- 1/ stuff with 0.75 lbs / ft<sup>3</sup> (0.49 pounds = 0.22 kg) of polyfill
- 2/cleats on back to allow for removable back, useful for adjusting the stuffing
- 3/ bracing is optional. For bracing ideas please see the bracing sheet in the superPensil12 plans